

# JDC (M12) Junction Blocks

12 Port, 4 Pin JDC Junction blocks



Cable | D-Sub | IP67 Protection Rating

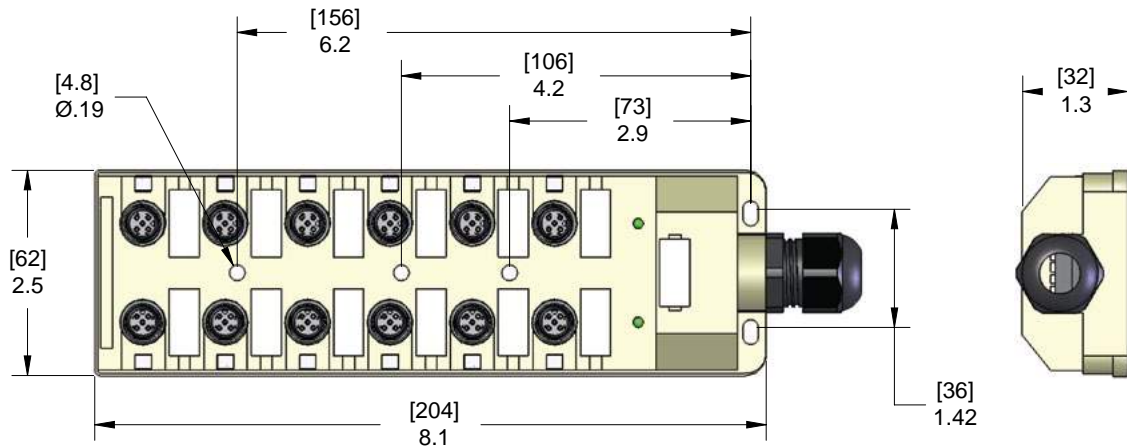


| Trunk Style | UL Rating | Trunk Connection   | Part Number     |                 |                 |
|-------------|-----------|--|-----------------|-----------------|-----------------|
|             |           |  | No LED          | PNP             | NPN             |
|             | N/A       | Black PUR AWM With Foil Shield 22 AWG Drain Wire<br><b>3 x 18 AWG</b><br><b>12 x 22 AWG</b><br>12.4mm OD | JDC-240-016-C** | JDC-24P-216-C** | JDC-24N-216-C** |
|             | N/A       | Gray PVC With Foil Shield 20 AWG Drain Wire<br><b>21 x 24 AWG</b><br><b>4 x 20 AWG</b>                   | JDC-240-025-D** | JDC-24P-225-D** | JDC-24N-225-D** |

\*\* Lengths in meters. Standard cable lengths are 2m, 5m and 10m. Consult factory for other lengths.

JDC Junction Blocks

Q



### Specifications:

|          |   |                     |                                   |
|----------|---|---------------------|-----------------------------------|
| Ratings: | 3 A per Connector<br>8 A per Block  | Inserts:            | Polyamide                         |
| Voltage: | Without LEDs: 0-150 Volt Max<br>With LEDs: 48 VDC Max<br>in accordance with LED Configuration | Port Coupling Nuts: | Nickel Plated Brass               |
| Body:    | Polypropylene   | O-Ring:             | BUNA-N                            |
|          |   | LED Lens:           | Polycarbonate                     |
|          |   | Contacts:           | Copper Alloy with Gold Plating    |
|          |   | Marker Tags:        | Polyamide (supplied on all units) |

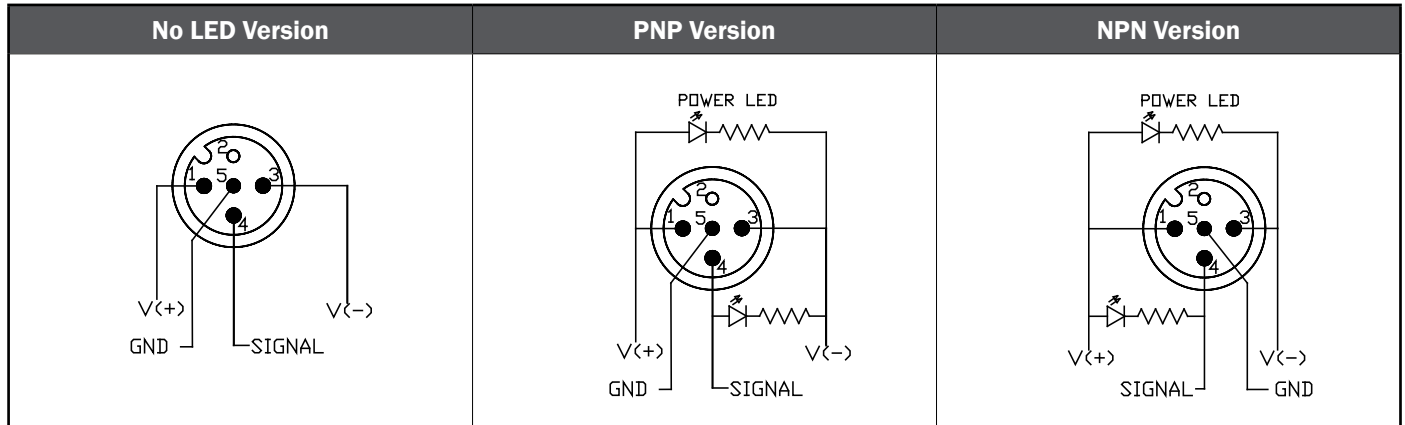


# JDC (M12) Junction Blocks

12 Port, 4 Pin JDC Junction blocks



Cable | D-Sub | IP67 Protection Rating



| Function      | Cable Version    | 25 PIN Male D-Sub |
|---------------|------------------|-------------------|
|               | Cable O.D. 0.40" |                   |
| + V           | Brown            | PIN #22 & #23     |
| - V           | Blue             | PIN #24 & #25     |
| Ground        | Green/Yellow     | Shield            |
| PORT 1 PIN 4  | White            | PIN #1            |
| PORT 2 PIN 4  | Green            | PIN #2            |
| PORT 3 PIN 4  | Yellow           | PIN #3            |
| PORT 4 PIN 4  | Gray             | PIN #4            |
| PORT 5 PIN 4  | Pink             | PIN #5            |
| PORT 6 PIN 4  | Red              | PIN #6            |
| PORT 7 PIN 4  | Black            | PIN #7            |
| PORT 8 PIN 4  | Violet           | PIN #8            |
| PORT 9 PIN 4  | Gray/Pink        | PIN #9            |
| PORT 10 PIN 4 | Red/Blue         | PIN #10           |
| PORT 11 PIN 4 | White/Green      | PIN #11           |
| PORT 12 PIN 4 | Brown/Green      | PIN #12           |

JDC Junction Blocks

Q